



VALIDATOR 600 OFFLINE

Offline Discount Unit

Offline discount unit for printing discount marks onto ABACUS barcode transient parker tickets.

Special feature:

Combination of compact construction and sophisticated design
Rate change according to the printed discount information occurs at either the automatic or manual pay station or directly at the exit

FEATURES

- Simple and fast operation
- Red/green status indicator
- Discounting of Barcode tickets
- Allocation of one discount level
- Only one discount per ticket possible
- Discounts are credited during the payment process
- Direct exit with full discounting of the parking fee
- Web-based evaluation of used discounts (presentation per device)
- Up to 40 traceable devices can be used in just one system

BASIC EQUIPMENT

- Printer for processing ABACUS barcode tickets with thermal printing, motor-driven
- Red/green indicator to display operational readiness and successful discount allocation
- Automatic discounting of transient parker tickets after insertion
- Optical and acoustic signals during discount allocation
- Tamper-proof counter to display the number of allocated discounts
- External power supply unit

REPORTING

- Web-based evaluation of used discounts (presentation per device)

DESIGN

- Housing made of plastic (RAL 9016 traffic white)
- Front panel : Plexiglas®, high-gloss black

SYSTEM REQUIREMENTS

- System ABACUS Version X18.8 or higher
- Multicon MC Barcode, Multicon MC 120 with barcode technology
- Function discount processing at the automatic and manual pay stations, as well as at the exit control terminals with payment function

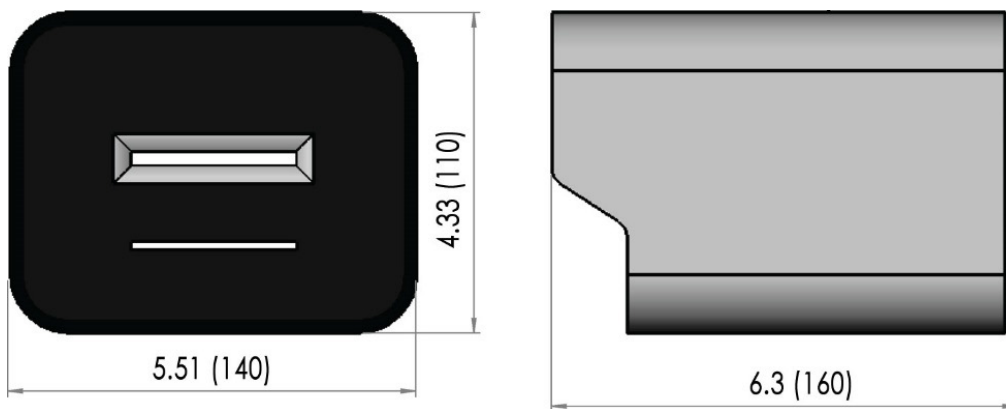
TECHNICAL DATA

- Power supply: 24V DC; via external power supply unit
- External power supply unit: 100-240 V AC, 47-63 Hz
- Power consumption: max. 100 W
- Input current: max. 1.6 A
- Output current: max. 5 A
- Protection: Overload, overvoltage, short circuit
- Operating temperature: +59°F to +104°F (+15°C to +40°C)
- Storage temperature: -13°F to +158°F (-25°C to +70°C)
- Weight: approx. 2.43 lbs (approx. 1.1 kg)
- Dimensions: see fig.

SAFETY

UL, c-UL, FCC, TÜV-GS, CE, PSE,
BSMI, CCC, RCM

FIGURE, DIMENSIONS IN INCH (MM)



CONTACT

DESIGNA Access Corporation
777 Oakmont Lane, STE 2000
Westmont, Illinois 60559

Phone +1 (630) 891-3038
sales.usa@designa.com
<https://us.designa.com>